

PLEASE CHECK WWW.MOLEX.COM FOR LATEST PART INFORMATION

Part Number: [39880-0827](#)
Status: **Active**
Overview: Eurostyle™ Terminal Blocks
Description: 5.08mm Pitch Beau™ Eurostyle™ Low Profile, Three Level Terminal Block, Modular, 27 Circuits

Documents:

[3D Model](#) [RoHS Certificate of Compliance \(PDF\)](#)
[Drawing \(PDF\)](#)

General

Product Family	Terminal Blocks
Series	39880
Application	N/A
Component Type	One Piece
Overview	Eurostyle™ Terminal Blocks
Product Name	Eurostyle™Multi-Level
Type	Euro Block
UPC	822348290109

Physical

Circuits (Loaded)	27
Entry Angle	Horizontal
Lock to Mating Part	None
Number of Rows	3
Orientation	Vertical
PC Tail Length	3.50mm
PCB Retention	N/A
PCB Thickness - Recommended	2.40mm
Panel Mount	No
Pitch - Mating Interface	5.08mm
Pitch - Termination Interface	5.08mm
Polarized to Mating Part	N/A
Shrouded	Fully
Stackable	Yes
Temperature Range - Operating	110°C
Wire Size AWG	16, 18, 20, 22, 24, 26, 28, 30
Wire Size mm²	0.20 - 1.50

Electrical

Current - Maximum per Contact	13.5A
Voltage - Maximum	300V

Solder Process Data

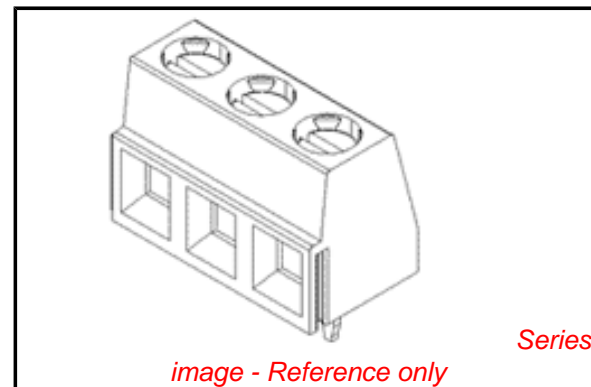
Lead-free Process Capability	Wave Capable (TH only)
------------------------------	------------------------

Material Info

Old Part Number	883127
-----------------	--------

Reference - Drawing Numbers

Sales Drawing	SD-39880-010
---------------	--------------



EU RoHS

**ELV and RoHS
Compliant**
REACH SVHC
 Not Reviewed
Low-Halogen Status
 Not Reviewed

China RoHS



**Need more information on product
environmental compliance?**

Email productcompliance@molex.com
 For a multiple part number RoHS Certificate of Compliance, [click here](#)

Please visit the [Contact Us](#) section for any non-product compliance questions.

Search Parts in this Series

[39880Series](#)